

MODEL 19501-K

KEY FEATURES

- Built-in AC hipot test and partial discharge (PD) detection functions
- Programmable AC hipot voltage output 0.1kVac~10kVac
- Up to 0.01 μ A~300 μ A high accuracy and high resolution current meter
- 1pC~2000pC partial discharge detection range
- High voltage contact check (HVCC) function
- Compliant with IEC60747-5-5, VDE0884 and IEC 60270 standards requirements
- Built-in IEC60747-5-5 testing methods
- Separate design for measurement and display unit
- 3 stages of voltage testing function
- PD measured results display (pC)
- PD failure count setting (1~10)
- Traditional Chinese/Simplified Chinese/English multilingual user interface
- USB storage for screen capture
- Graphical editing
- Standard LAN, USB, and RS232 remote control interface

PARTIAL DISCHARGE TESTER MODEL 19501-K

The Chroma 19501-K Partial Discharge Tester is an instrument equipped with AC hipot test and partial discharge detection functions, providing 0.1kV~10kV of AC output, 0.01 μ A~300 μ A of leakage current, and 1pC~2000pC partial discharge detection range for measurement. It is specifically designed for testing high voltage semiconductor components and high insulation materials.

The product design of Chroma 19501-K Partial Discharge Tester is compliant to the IEC60270-1 standard in particular the partial discharge testing requirements for high voltage. It adopts narrowband measuring technology to perform the PD tests, and displays the measured results on the screen with intuitive values (pC) allowing users to clearly understand the DUT (device under test) test result.

In addition to IEC60270-1, the PD tester is also IEC60747-5-5 and VDE0884 compliant. Its embedded IEC60747-5-5 measuring methods can meet the production test requirements of optocouplers, providing a user-friendly operating interface.

When performing high voltage tests on the production line, if the DUT is poorly connected to the test cable, it could result in test failure or skipping. Thus, it is important to make sure the DUT and test cables are well connected. Chroma's unique high voltage contact check (HVCC) uses Kelvin

measurement to perform contact tests on the high insulation components with high voltage outputs, concurrently improving the test effectiveness and productivity.

When a solid insulator has air gaps or impurities mixed in the insulating layer, the high electric field strength centered on the air gaps will cause partial discharge under the rated high voltage. The continuous partial discharge will deteriorate the surrounding insulation material, affecting the long term reliability of electrical products and causing safety concerns.

Long-term damage from partial discharge to safety components used in power systems, such as optocouplers, causes the insulation of these components to fail leading to potential hazards. However, the IEC60747-5-5 standard regulates that partial discharge test in the production process (routine test) must be 100% performed, and less than 5pC discharge capacity under the maximum insulation voltage to ensure that partial discharge does not occur during the normal working environment.

The partial discharge tester provides hipot test and partial discharge detection for high insulation withstand components such as high voltage optocouplers, high voltage relays, and high voltage switches to assure quality and reliability.



The Chroma logo, featuring the word "Chroma" in a stylized blue font.



Partial Discharge

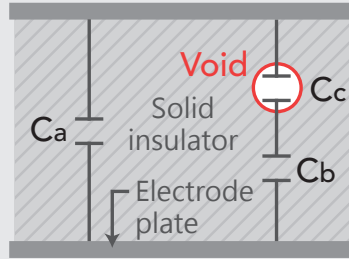
Partial Discharge is the local dielectric breakdown of a small portion of insulation systems, where the electric field strength exceeds the breakdown point of the insulation material; this does not bridge the space between two conductors.

The partial discharge tester applies voltage to the DUT under a certain condition to measure the apparent partial discharge (PD). Besides verifying its ability to withstand a transient high voltage (hipot test), it also verifies the insulation integrity at rated operating voltage. The partial discharge test can detect whether there are abnormal air gaps on the electrical components by applying a charge slightly above the maximum rated voltage. This also tests its long-term reliability under normal voltage conditions. Although, it is impossible to be 100% free of air gaps inside the insulation material during actual production, the IEC60747-5-5 optocoupler standard still defines that for partial discharge testing, the discharge capacity cannot exceed 5pC ($q_{pd}=5pC$).

Explanation for P.D occurs

When void exist inside a solid insulator under high working voltage

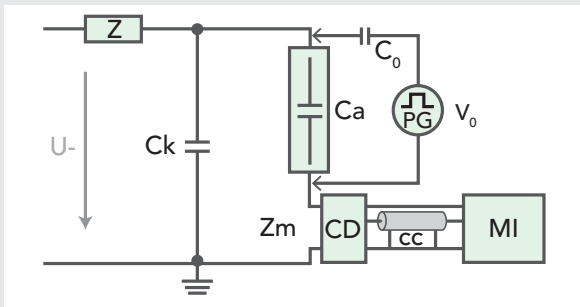
1. The dielectric coefficient of air is lower than the dielectric coefficient of the insulation material causing the void electric field strength to be higher than normal insulation.
2. And, the dielectric strength of air is lower than insulation material, causes easier electrical discharge in the void.



- Ca: Equivalent capacitance of the rest of the solid
- Cc: Equivalent capacitance of the air gap
- Cb: Equivalent capacitance of solid in series solid and void

Partial Discharge Calibration

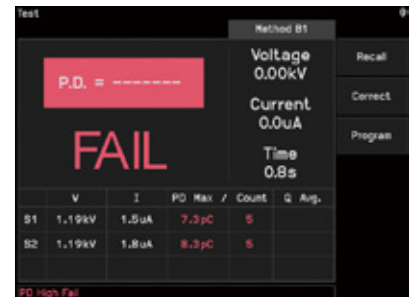
The partial discharge tester is used for measuring a tiny discharge value (in pC), this tiny discharge signal is very small and fast. Therefore, the partial discharge tester has to be accurately calibrated to ensure the high frequency discharge signal can be accurately measured when the partial discharge occurs. The standard capacitor C_0 used by the calibrator is usually a low voltage capacitor. The partial discharge tester is calibrated without applying any output voltage when conducting the PD calibration ($q_0=V_0C_0$) with the PD calibrator.



- U : High voltage supply
- Z : Filter
- Ca : Device under test
- Ck : Coupling capacitor
- Zm : Input impedance of measuring system
- CD : Coupling device
- Cc : Connecting cable
- MI : Measuring Instrument
- PG : Step voltage generator
- V_0 : Step voltage

High Precision Measurement

The Chroma 19501-K is a high precision partial discharge tester equipped with 200pC and 2000pC two ranges to measure from 1pC to 2000pC, and the best resolution in range 200pC is 0.1pC. Its high accuracy measurement and intuitive display of measured results on the screen facilitate the assessment and analysis of small discharges for highly insulated objects.



Anti-interference structure design

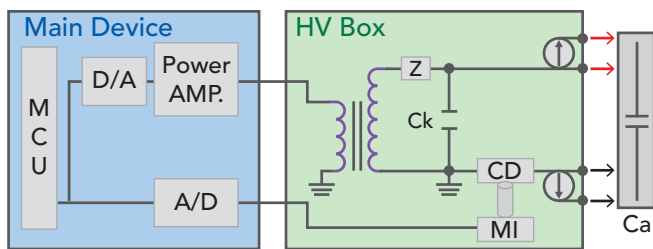
The partial discharge tester has a built in narrowband filter to measure small discharges; however, the equipment that is used for testing in production is different from those used in the Lab as the noise and interference include automated mechanical operation, motor movement, or high frequency radiation, etc. All of these affect the measurement and assessment of PD. Preventing and reducing the measurement circuit of the partial discharge tester from being interfered with by high-frequency radiation is a big issue to manufacturers and automation equipment suppliers.

The partial discharge occurs fast, usually in nanoseconds (nS) and at a high frequency. Because the signal is very small, the tester is easily affected by the surrounding high frequency radiation causing measurement errors. Accurately measuring the PD capacity and avoiding the interference of high frequency radiation is a technical challenge for designing the partial discharge tester.

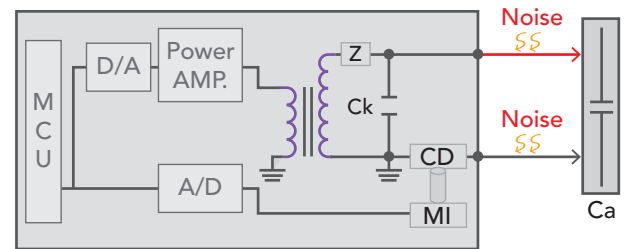
Chroma is aware of the inevitable interference of high frequency radiation in the environment, so a separate design for the measurement and display unit is applied to the 19501-K Partial Discharge Tester. Its detachable test module can measure the DUT in the closest way to reduce the interference caused by long cables. In the meantime, the measurement circuit uses signal isolation design with an outlet probe of the shortest loop at the test end, and a copper ring to isolate the ambient radiation at the low voltage circuit end to prevent the PD measurement circuit from being interfered with by external noise.



Anti-interference structure design



Chroma 19501-K: Uses separate architecture design which helps reduce interference from high frequency radiation ensuring measurement accuracy.



PD testers of other brands: Elongate the test cable to make contact with the DUT, which allows for interference due to the high frequency radiation in the surrounding environment, resulting in inaccurate measurements.

APPLICATIONS

Application of optocoupler standards

In the IEC 60747-5-5 standard, the electrical safety requirements and test methods related to optocouplers are clearly defined to provide guidance for safe use of the optocoupler components. The Chroma 19501-K partial discharge tester complies with the electrical safety test requirements and test methods specified in the standard in which partial discharge test must be executed 100% and provided to the manufacturer for optocouplers production. The voltage for the partial discharge test is set by multiplying the nominal maximum insulation working voltage or the maximum repetitive insulation peak voltage (whichever is higher) by 1.875 times to be the partial discharge test voltage. The calculation formula is as follows:

$$V_{pd} = F \times V_{IOWM} \text{ if } V_{IOWM} > V_{IORM}$$

Multiplying factor: F

* At routine test stage F = 1.875

* At sample test stage F = 1.6

* After endurance tests F = 1.2

V_{IOWM} : Maximum working isolation voltage

V_{IORM} : Maximum repetitive peak isolation voltage

Compliant with IEC 60747-5-5 and VDE 0884 standards for testing

The Chroma 19501-K has built in test methods (b1), (b2) and (b3) required by the IEC60747-5-5 standard for the optocoupler industry, and uses graphical display to assist in program editing, which facilitates the instrument operation and improves the usage efficiency.



Method (b1)



Method (b2)



Method (b3)

Three stages of voltage test

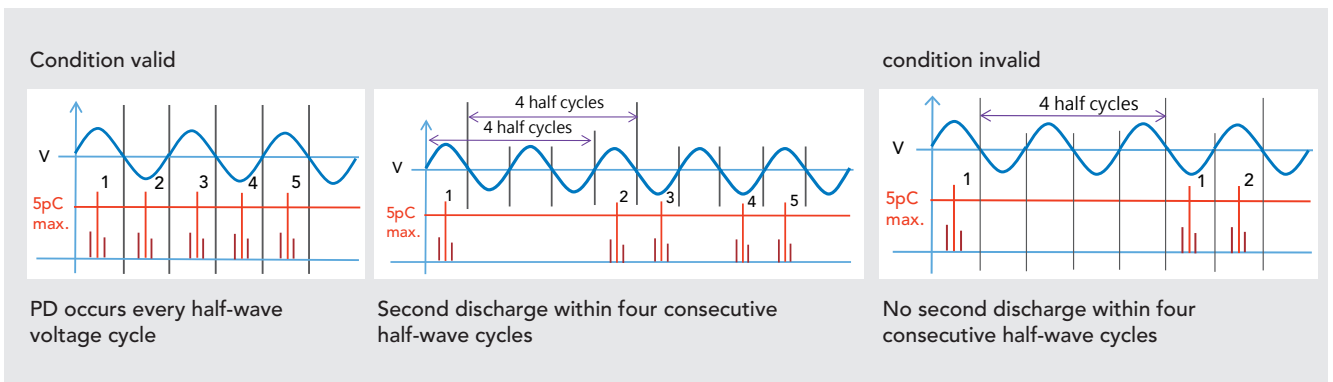
In addition to meeting the optocoupler and partial discharge testing requirements during production, some manufacturers request a higher test voltage to perform a hipot test with PD detection for improving the quality of the components and maintaining stricter internal quality control. However, the voltage still needs to be reduced to the standard specified (Vpd) for inspection again after the strict test to make sure the product complies with the standard requirement. The Chroma 19501-K unique three stages voltage testing function is designed to satisfy these demands.



PD failure count setting

The partial discharge tester must be able to accurately measure the tiny discharge when performing insulation quality test on the components. When PD occurs, the signal is very small and easily interfered with by the high frequency radiation in the environment, which causes the measurement to deviate. Therefore, to reduce the misjudgment caused by the external interference, the Chroma 19501-K partial discharge tester provides the settings of PD failure count ensuring the measured discharge capacity is from the DUT instead of the surrounding environment.

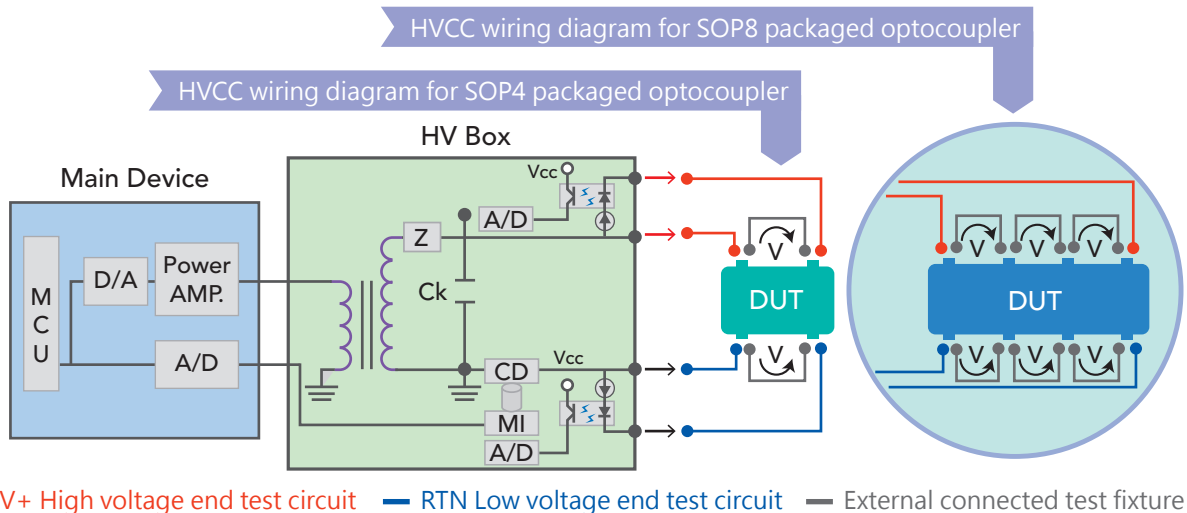
When a partial discharge tester applies high voltage to a solid insulator, the discharge capacity in it follows the voltage change to generate periodical discharge. Therefore, the discharge capacity is relatively stable and continuous compared to the high frequency noise in the environment. The 19501-K is designed to calculate the discharge capacity that is generated at least once for four consecutive voltage half-wave periods, and count once when it exceeds the maximum discharge capacity. If the discharge does not occur continuously, the PD failure count will reset to zero and recount until the continuous count exceeds the set number and the test result is determined as a failure.



Example Description - The number of PD failures is set to 5 P.D

HVCC (High Voltage Contact Check)

It is very important to perform contact check on high insulation components during high voltage output. Chroma's unique HVCC (High Voltage Contact Check) function uses Kelvin measurement to perform contact test on the high insulation components when the high voltage outputs, which concurrently increases the test reliability and productivity. The wiring circuit diagram is shown as below.



— HV+ High voltage end test circuit — RTN Low voltage end test circuit — External connected test fixture

SPECIFICATIONS

| | | |
|----------------------------|--|--|
| Model | 19501-K | |
| AC Output Voltage | | |
| Range | 0.10 kV~10.00 kV, steps 0.01 kV | |
| Voltage Accuracy | ±(1% of setting + 0.5% full Scale) | |
| Load Regulation | ±(1% of setting + 0.5% full scale) | |
| Frequency | 50Hz, 60Hz ± 0.1%, sine wave | |
| Measurement | | |
| V-display Accuracy | ± (1% of reading + 0.5% full scale), 10V resolution | |
| Cutoff Current | 0.01μA~300.0μA | |
| Leakage Current Meter *1 | 30μA : 0.50μA~29.99μA ; 300μA : 30.00~300.0μA Accuracy ± (1% of reading + 2% full scale) | |
| Partial Discharge Detector | | |
| Range | 200pC: 1.0 pC~200 pC, 0.1 pC resolution ; 2000pC: 10 pC~2000 pC, 1 pC resolution | |
| Accuracy *2 | ± (1% of reading + 0.5% full scale) | |
| Test Time | 0.3~99.9 sec., steps 0.1 sec., Accuracy : ±(0.2% of setting + 10ms) | |
| Ramp/Fall time | 0.1~9.9 sec., steps 0.1 sec | |
| PD detection delay time: | 0~9.9 sec., steps 0.1 sec. | |
| HVCC *3 | * Added HV & RTN contact terminal, test current <10mA and open voltage is 5Vdc typ. * Check function to select ON or OFF | |
| Handler Interface | 36 pins connector, all input/output are negative true logic and optically isolated open collector signals. (General-speed photo-coupler used) * All outputs must be pulled up with 10kohm resistor to +VEXT (external power supply) * All input optic-diode must be series with current limit (10mA±4mA for +3V ~ +26V) circuit | |
| Remote Interface | RS-232, USB(B-type), USB Flash Drive (A-type)*4, LAN | |
| Memory Storage | 200 instrument setups | |
| USB Flash Drive (A-type) | Test parameters, result and waveform (BMP) storage. (EXP. function) One memory of test procedure and parameter can be storage/recall Backup/restore all memory data to USB flash Support USB Flash up to 32GB in size | |
| General | | |
| Specifications Range | 18 to 28 °C (64 to 82°F), 70% RH | |
| Operable Range | 0 °C to 45 °C, 15% to 95% RH @ ≤40 °C and no condensation | |
| Storage Range | -10°C to 50 °C, ≤ 80% RH | |
| Power Requirement | 100 Vac ~ 240 Vac, 50/60 Hz | |
| Power Consumption | No Load : <150W, Rated Load : <400W | |
| Dimension (WxHxD) | Host: 428x176x500 mm / 16.9x6.9x19.7 inches HV Box: 203x200x307 mm / 8x7.9x12.1 inches | |
| Weight | Host: 20.5 kg / 45.19 lbs HV Box: 13.2 kg / 29.10 lbs | |

| | | |
|---------------------|---|--|
| Model | A195001 | |
| Range | 100pC | 1.0, 2.0, 5.0, 10.0, 20.0, 50.0, 100.0 pC, Injection Capacitance: 1pF, typical |
| | 2000pC | 20, 50, 100, 200, 500, 1000, 2000 pC, Injection Capacitance: 20pF, typical |
| Polarity | Positive, Negative | |
| Accuracy | ± (3% of reading + 0.5pC) | |
| Rise Time | <50nS | |
| Pulse Repetition | 100Hz | |
| Operable Range | 0°C to 45°C, 15% to 95% RH@ ≤40°C and no condensation | |
| Storage Range | -10 to 50°C, ≤ 80% RH | |
| Power Supply | 9V battery | |
| Current Consumption | 50mA max. | |
| Dimension (WxHxD) | 65 x 150 x 36.5 mm / 2.56 x 5.91 x 1.44 inch | |
| Weight | Approx. 500g | |

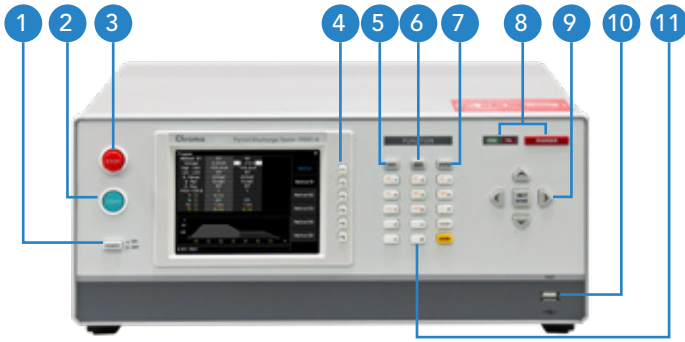
Note *1: The current accuracy is only valid for capacitive load.

Note *2: The PD measurement uses correction pulse generator compliant to IEC60270 for verification. The specification of measurement accuracy is defined as the relative error of correction generator.

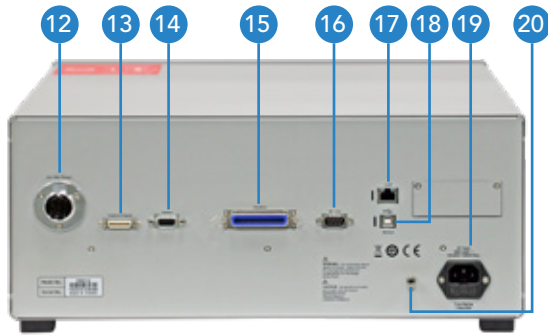
Note *3: If the contact resistance >10kΩ, it is judged as open circuit. On the contrary, if it is <100Ω, it is judged as pass.

* Specifications are subject to change without notice.

PANEL DESCRIPTION



- | | |
|-------------------------|---------------------------|
| 1. Power button | 7. System page button |
| 2. Start testing button | 8. Test indicator |
| 3. Stop testing button | 9. Arrow and input key |
| 4. Function key | 10. USB storage interface |
| 5. Test page button | 11. Numerical editing key |
| 6. Home page button | |



- | |
|--|
| 12. High voltage module power connector |
| 13. Signal control connector |
| 14. Option |
| 15. HANDLER interface: Connect to the PLC controller |
| 16. RS-232 interface: Connect to PC for control |
| 17. LAN interface: Connect to PC for control |
| 18. USB interface: Connect to PC for control |
| 19. Host power connector |
| 20. Grounding terminal |



- | |
|--|
| 1. High voltage module power indicator |
| 2. Safety switch INTER LOCK |
| 3. High voltage module power connector |
| 4. Signal control connector |
| 5. Grounding terminal |

ORDERING INFORMATION

- 19501-K : Partial Discharge Tester
- A195001: PD Calibrator
- B195000: EMI Shielding can
- B195001: HV connection adapter
- B195002: DIP Test fixture



A195001



B195000



B195001

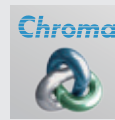


B195002

Get more product & global distributor information in Chroma ATE APP



iOS



Android

Search Keyword

19501-K

HEADQUARTERS
CHROMA ATE INC.
88 Wenmao Rd.,
Guishan Dist.,
Taoyuan City
333001, Taiwan
T +886-3-327-9999
F +886-3-327-8898
www.chromaate.com
info@chromaate.com

U.S.A.
CHROMA SYSTEMS
SOLUTIONS, INC.
19772 Pauling,
Foothill Ranch,
CA 92610
T +1-949-600-6400
F +1-949-600-6401
www.chromausa.com
sales@chromausa.com

EUROPE
CHROMA ATE EUROPE B.V.
Morsestraat 32,
6716 AH Ede,
The Netherlands
T +31-318-648282
F +31-318-648288
www.chroma.eu.com
salesnl@chroma.eu.com

CHROMA GERMANY GMBH
Südtiroler Str. 9, 86165,
Augsburg, Germany
T +49-821-790967-0
F +49-821-790967-600
www.chroma.eu.com
salesde@chroma.eu.com

JAPAN
CHROMA JAPAN
CORP.
888 Nippa-cho,
Kohhoku-ku,
Yokohama-shi,
Kanagawa,
223-0057 Japan
T +81-45-542-1118
F +81-45-542-1080
www.chroma.co.jp
info@chroma.co.jp

KOREA
CHROMA ATE
KOREA BRANCH
3F Richtogether
Center, 14,
Pangyoeyeok-ro 192,
Bundang-gu,
Seongnam-si,
Gyeonggi-do
13524, Korea
T +82-31-781-1025
F +82-31-8017-6614
www.chromaate.com
info@chromaate.com

CHINA
CHROMA ELECTRONICS
(SHENZHEN) CO., LTD.
8F, No.4, Nanyou Tian
An Industrial Estate,
Shenzhen, China
T +86-755-2664-4598
F +86-755-2641-9620
www.chroma.com.cn
info@chromaate.com

SOUTHEAST ASIA
QUANTEL PTE LTD.
(A company of Chroma Group)
25 Kallang Avenue #05-02
Singapore 339416
T +65-6745-3200
F +65-6745-9764
www.quantel-global.com
sales@quantel-global.com